

## FS/FD Mount Weatherproof Covers

For strap mount and flanged devices in FD box and panel mount applications



Available in gray,  
black or yellow

### Features & Benefits

- Vertical self-closing lid constructed of glass-filled thermoplastic provides ultimate impact resistance for use in abusive environments
- Includes provision for 2 padlocks for OSHA compliant lockout/tagout
- Molded-in label area on cover allows for circuit or ratings identification
- Pre-assembled gasket provides an easier installation and tighter seal from harsh elements
- Stainless steel mounting screws and springs offer added corrosion resistance
- NEMA Type 3R and IP64 ratings with cover closed ensure protection for indoor and outdoor use
- Covers may be held open with a Hex Key or pin to ease installation

### Common Applications

- Portable Generators
- Shipyards & Marinas
- Power Distribution Boxes
- Construction Sites
- Carnivals & Fairs

## Key Features



Provisions for lockout/tagout for OSHA compliance



Convenient space for circuit id label



Pre-mounted flange gasket speeds installation\*



Stay open feature makes installation simple

### 7420

Fits 20A & 30A strap mount single locking receptacles



### WP1

Fits 15A locking flanged inlets & outlets and 15A/20A straight blade flanged inlets & outlets



### WP2

Fits 20A/30A locking flanged inlets & outlets, and 30A/50A power receptacles



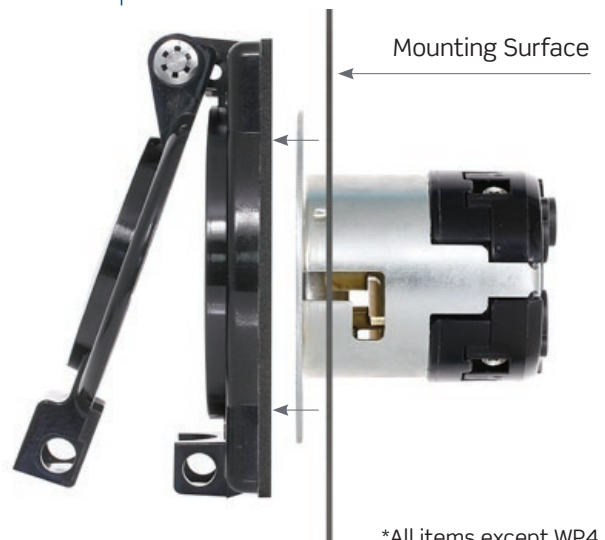
### WP3

Fits 50A non-NEMA flanged inlets & outlets for applications where mounting of the device is behind the panel



### WP4

Fits 50A non-NEMA flanged inlets & outlets for applications where mounting of the device is in front of the panel



\*All items except WP4

## Ordering Information

| Description   | Color  | Diameter Opening | Cat No  |
|---|--------|------------------|---------|
| For 20 amp or 30 amp strap-mount single flush mount receptacle                                  | Yellow | 1.60"            | 7420-YL |
|   | Gray   |                  | 7420-G  |
|   | Black  |                  | 7420-EB |
| For 3-wire 15 amp and 20 amp straight blade or 15 amp locking flanged outlets or inlets         | Yellow | 1.72"            | WP1-YL  |
|   | Gray   |                  | WP1-G   |
|   | Black  |                  | WP1-EB  |
| For 3-, 4- or 5-wire 20 amp or 30 amp locking flanged inlets or outlets                         | Yellow | 2.25"            | WP2-YL  |
|   | Gray   |                  | WP2-G   |
|   | Black  |                  | WP2-EB  |
| For 50 amp flanged inlets and outlets mounted from behind the panel with 2.6" panel cutout      | Yellow | 3"               | WP3-YL  |
|   | Gray   |                  | WP3-G   |
|   | Black  |                  | WP3-EB  |
| For 50 amp flanged inlets and outlets mounted from in front of the panel with 2.6" panel cutout | Yellow | 2.6"             | WP4-YL  |
|   | Gray   |                  | WP4-G   |
|   | Black  |                  | WP4-EB  |

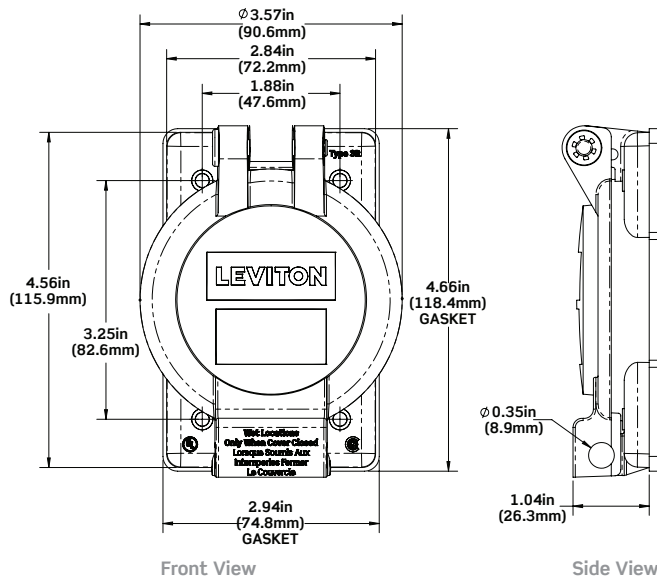
## Specifications

| Description                           | WP1, WP2, WP3, 7420-CR     | WP4   |
|---------------------------------------|----------------------------|-------|
| <b>Material Specifications</b>        |                            |       |
| Cover Plate                           | Glass-Filled Thermoplastic |       |
| Mounting Screws & Springs             | Stainless Steel            |       |
| <b>Standards &amp; Certifications</b> |                            |       |
| UL Standard                           | UL514C & UL514D            | UL498 |
| CSA                                   | C22.2 No. 18.1 and/or 42.1 |       |
| NEMA                                  | Type 3R                    |       |
| RoHS                                  | Compliant                  |       |
| IP Rating                             | IP64                       |       |
| <b>Guarantees</b>                     |                            |       |
| Product Warranty                      | 10 Year Limited            |       |

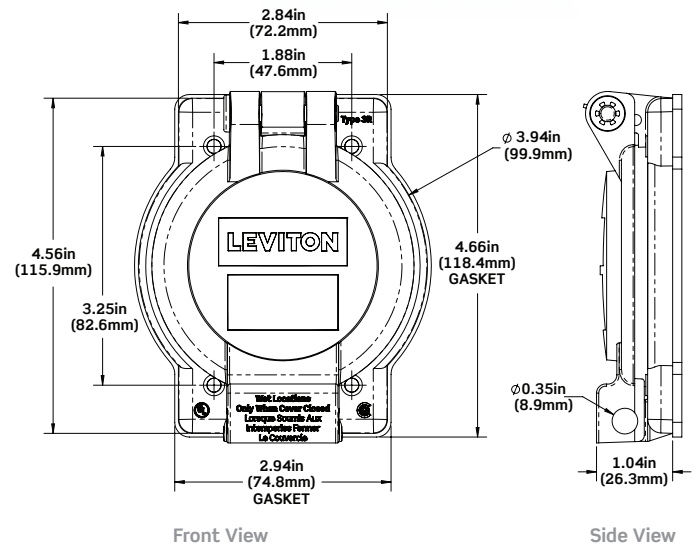


## Dimensions

### WP1, WP2, WP3, 7420



### WP4



## Also Available

For use with 50A single locking receptacles



## Ordering Information

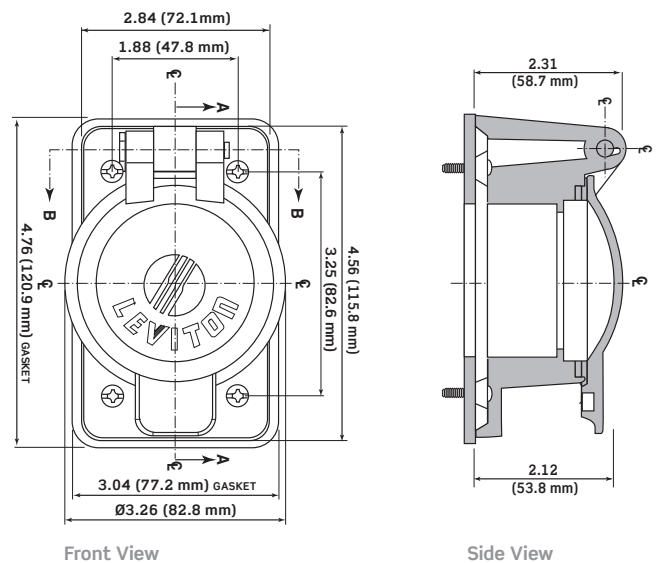
| Description                                     | Color                | Diameter Opening | Cat No  |
|---|----------------------|------------------|---------|
| 1-Gang device cover for 50A locking receptacles | Yellow Thermoplastic | 2.15"            | 7788-CR |
|   | Gray Aluminum        |                  | 7770    |

## Specifications

| Description                           | 7770                       | 7788-CR                    |
|---------------------------------------|----------------------------|----------------------------|
| <b>Material Specifications</b>        |                            |                            |
| Cover Plate                           | Powder Coat Cast Aluminum  | Glass-Filled Thermoplastic |
| Mounting Screws & Springs             | Stainless Steel            |                            |
| <b>Standards &amp; Certifications</b> |                            |                            |
| UL Standard                           | UL514C & UL514D            |                            |
| CSA                                   | C22.2 No. 18.1 and/or 42.1 |                            |
| NEMA                                  | Type 3R                    |                            |
| RoHS                                  | Compliant                  |                            |
| IP Rating                             | IP64                       |                            |
| <b>Guarantees</b>                     |                            |                            |
| Product Warranty                      | 10 Year Limited            |                            |

## Dimensions

7770 & 7788-CR



Visit our Website at:  
[www.leviton.com/industrial](http://www.leviton.com/industrial)  
 email: [industrial@leviton.com](mailto:industrial@leviton.com)

Q-936A

### Leviton Manufacturing Co., Inc.

201 N Service Rd, Melville, NY 11747  
 Telephone: 1-800-323-8920 • FAX: 1-800-832-9538  
 Tech Line (8:30AM-7:30PM E.S.T. Monday-Friday): 1-800-824-3005

© 2017 Leviton Manufacturing Co., Inc. All rights reserved.

040717

