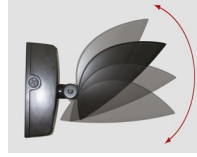


The VEK2-LED52 is an adjustable multi-purpose fixture that replaces traditional wall packs and floods. The head can be aimed up or down where light is needed. The fixture includes a photocell for dusk to dawn operation.



APPLICATIONS

Ideal for use on outdoor walls along perimeters of buildings, townhouses, condominiums, schools.

Project	
Type	
Date	
Notes	

SPECIFICATIONS

Construction

Die cast aluminum housing with tamper proof stainless steel hardware. Clear tempered glass lens with a gasket. There are 5 conduit entries and the unit has a leveling bubble on the back box for proper alignment.

LED configuration

The VEK2-LED52 has four led arrays each with six LEDs that deliver 5333 lumens. The LEDs have a color temperature of 5000K, a CRI of greater than 70 and an operating temperature range of -40° C - to +40°C. 4000K and 3000K also available.

Mounting

Wall mount, ceiling mount or ground mounted on a concrete pad. Unit can be mounted to standard junction boxes.

Adjustable head

The fixture can be aimed 0° - 90° delivering more lumens on the ground where needed.

Electrical

Total system wattage of the unit is 52W. The unit has high efficiency drivers that operate at 120V standard. 347V available as an option.

Finish

Standard finish is Bronze, Black or White. Please consult factory for custom colour.

Photocell

Included for dusk to dawn operation or custom requirements.

Accessories

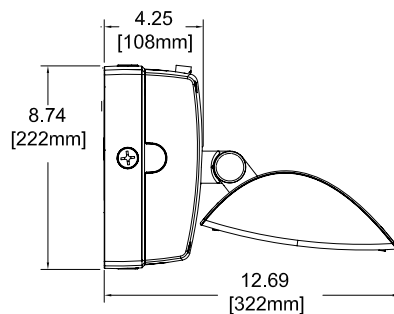
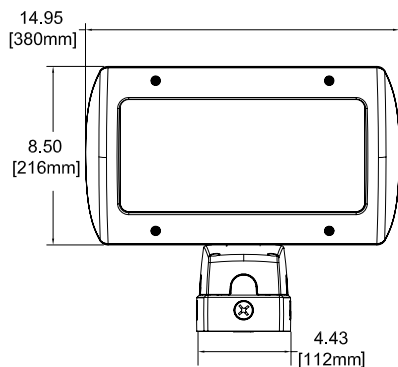
On/Off Motion Sensor, Dimmable Motion Sensor, Goof Tray

Sign light

The VEK Series of fixtures can also be used with various arms for sign lighting. Contact us to learn more.

Input Watts	52W
Lumens	5333
Efficiency	103 lumens per watt
Operating Temperature	-40°C - +40°C
Certification	cULus, DLC, IP65 meets LM79, LM80
Warranty	5 Years
LED life	100,000 hours

DIMENSIONS



With Optional Motion Sensor

